

**PLEASE CHECK WWW.MOLEX.COM FOR LATEST PART INFORMATION**

**Part Number:** [1300150044](#)  
**Status:** **Active**  
**Overview:** Brad Mini-Change Connectors  
**Description:** Mini-Change C-Size Receptacle, 10 Poles, 1/2" - 14 NPT Threads, Male (Straight) to 16 AWG Leads, 0.305m (1.0') Length

**Documents:**

[Drawing \(PDF\)](#) [RoHS Certificate of Compliance \(PDF\)](#)

**Agency Certification**

CSA LR6837  
 UL E152210

**General**

Product Family Industrial Receptacles  
 Series [130015](#)  
 Comments C-Size (1-1/8" - 16 UN-2A)  
 IP Rating IP67  
 Overview [Brad Mini-Change Connectors](#)  
 Product Name Mini-Change  
 Taxonomy Circular Industrial Connectors  
 Type Single Ended (pigtail)  
 UPC 78172553231

**Physical**

Coupling Type External Thread  
 Gender Male  
 Keyway Tri-Key  
 Length 0.305m  
 Material - Component Zinc Die-Cast with Black Epoxy  
 Mounting Thread Size 1/2" - 14 NPT  
 Net Weight 145.000/g  
 Orientation Straight  
 Panel Mount Front  
 Poles 10  
 Temperature Range - Operating -20° to +105°C  
 Wire Size AWG 16  
 Wire/Cable Type UL 1015

**Electrical**

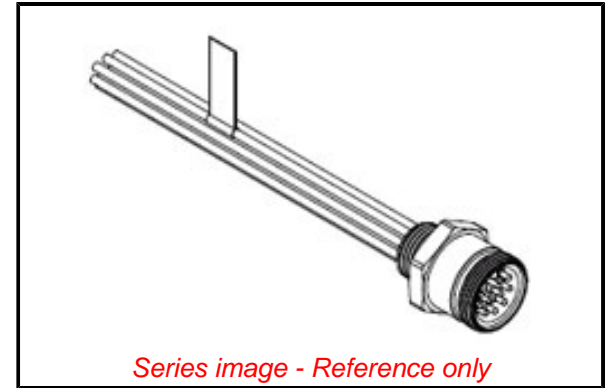
Current - Maximum per Contact 7.0A  
 Voltage - Maximum 600V AC/DC

**Material Info**

Engineering Number 3R1006A20A120

**Reference - Drawing Numbers**

Sales Drawing SD-130015-004-001, SD-130015-027-001



**EU ELV**

**Not Relevant**

**EU RoHS**

**Compliant with Exemption 6(c)**

**REACH SVHC**

Contained Per - D(2022)4187-DC (10 June 2022)

Lead

**Halogen-Free**

**Status**

**Not Low-Halogen**

For more information, please visit [Contact US](#)

China ROHS

ELV

RoHS Phthalates

ZZCERT\_CE -

Declaration of

Conformity

ZZCERT\_UKCA

- Declaration of

Conformity

**China RoHS**

50 Image

Not Relevant

Not Contained

CER\_4000380980\_00\_000.pdf

CER\_4000410293\_00\_000.pdf

**Search Parts in this Series**

[130015 Series](#)